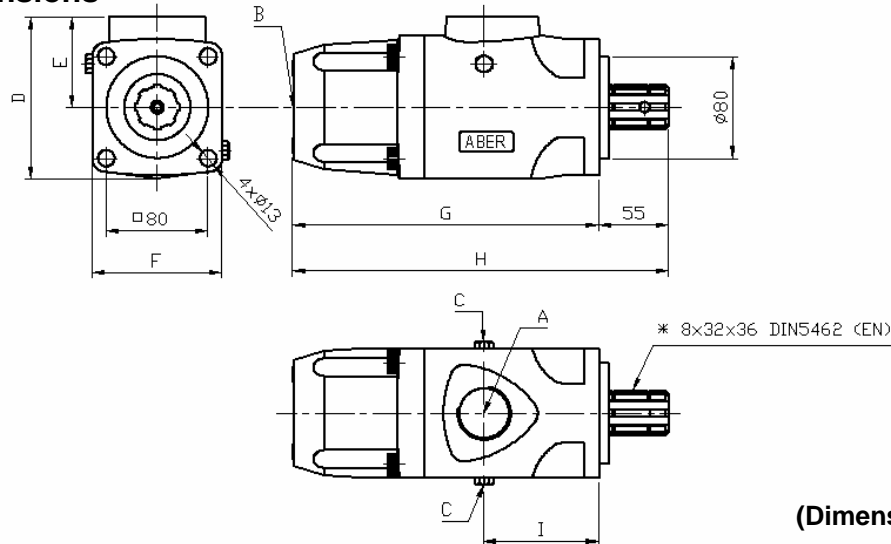


# Oil-Hydraulic Pump

## Axial Pistons

Ref. BHV

### Main Dimensions



(Dimensions in mm)

### Main Data

Pumps BHV	21316*	21416*	21516*	21616*	21716*	25616*	21816*	211113*	25913*
Cylinder capacity (cm <sup>3</sup> /rot.)	19	25	32	40	45	50	60	80	86
Output L/Min. (rot. Máx.)	30.4	40.0	51.2	64.0	72.0	70.0	96.0	128.0	120.0
Operating pressure (bar) (up to)	320	320	320	320	320	300	400	400	300
Peak pressure (bar)	370	370	370	370	370	350	450	450	350
Rotation Mín. (r.p.m)	200	200	200	200	200	200	200	200	200
Rotation Máx. (r.p.m)	1600	1600	1600	1600	1600	1400	1600	1600	1400
Weight (kg)	12.0	12.0	12.0	12.0	12.0	13.0	16.0	21.5	21.5
Sense of Rotation	Bi-directional								
A-Oil inlet (BSP)	1"1/4	1"1/4	1"1/4	1"1/4	1"1/4	1"1/4	1"1/2	1"1/2	1"1/2
B-Oil Outlet (BSP)	3/4"	3/4"	3/4"	3/4"	3/4"	3/4"	3/4"	1"	1"
C	Oil drain plug								
D	125	125	125	125	125	125	148	152	152
E	69	69	69	69	69	69	72	80	80
F	102	102	102	102	102	102	118	142	142
G	240	240	240	240	240	240	259	270	270
H	295	295	295	295	295	295	314	325	325
I	90	90	90	90	90	90	118	134	134

- \* Axle Options : - Axle DIN 5462 (Standard - EN)  
 - Axle DIN 9611 (Agricultural Indented - DA)  
 - Axle DIN 5482 (Multiplier Indented - DM) only for pumps 21316;21416;21516;21616;21716;25616

#### How to order:

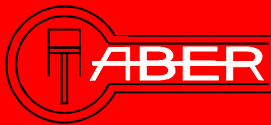
**Example:** Pump 19L, operating pressure up to 320 bar ;peak pressure 370 bar, ref. BHV with DIN 5462 (EN) → BHV21316 EN



**ABER - Embraiagens e Comandos Hidráulicos - A. B. LDA**

Rua Francisco de Almeida, Nº 30 – Vila Nova da Telha – 4470 MAIA - Portugal

Telefone: +351.22.9438070 Fax: +351.22.9420823 e-mail: [aber@aber.pt](mailto:aber@aber.pt) <http://www.aber.pt>

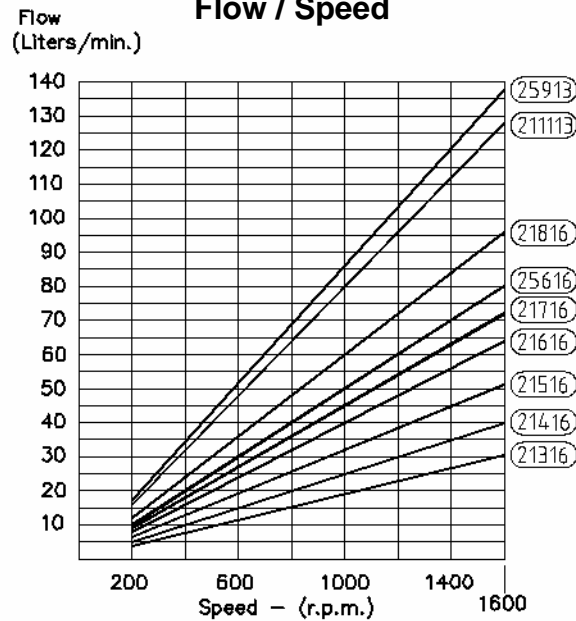


# Oil-Hydraulic Pump

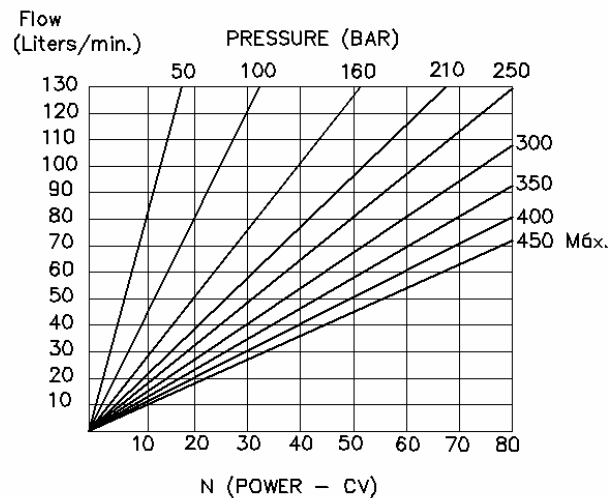
## Axial Pistons

Ref. BHV

**Diagram  
Flow / Speed**

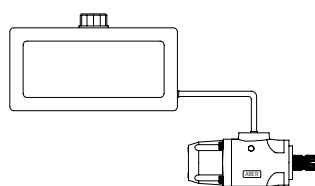


**Diagram  
Input Power - Flow - Pressure amplitude**



**IMPORTANT NOTES:**

- ✓ Diameter of inlet pipes lower than indicated in our technical catalogues as well as a poor sealing can cause cavitation phenomenon to occur, thereby deteriorating the pump
- ✓ Keep up the deposit above pump level
- ✓ Used always return filters. We recommend filters with mesh equal to or lower than 25  $\mu$ m
- ✓ The connection of inlet pipes in the pump, can be done by threading or flange and the sealing by orring
- ✓ Use a good quality mineral hydraulic-oil with viscosity at operating temperature between 20 and 46 cSt
- ✓ Fill the oil tank to 85% of its maximum capacity (the remainder 15% must not have oil)



Keep up the deposit above pump level

CTI BHV EN 0606-1



**ABER - Embraigens e Comandos Hidráulicos - A. B. LDA**

Rua Francisco de Almeida, Nº 30 – Vila Nova da Telha – 4470 MAIA - Portugal

Telefone: +351.22.9438070 Fax: +351.22.9420823 e-mail: [aber@aber.pt](mailto:aber@aber.pt) <http://www.aber.pt>